

## Sealed Gel Rechargeable Battery Product Specification

### SLAUMXNPG40-12(12V40AH)



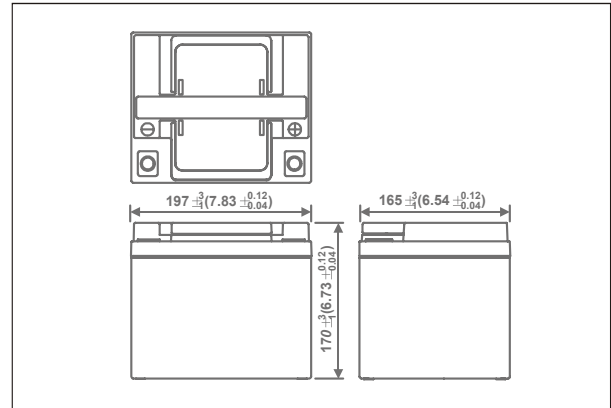
#### Specifications

Nominal Voltage		12V
Rated capacity (20 hour rate)		40Ah
Dimensions	Total Height	170 mm
	Height	170 mm
	Length	197 mm
	Width	165 mm
Weight Approx		14Kg

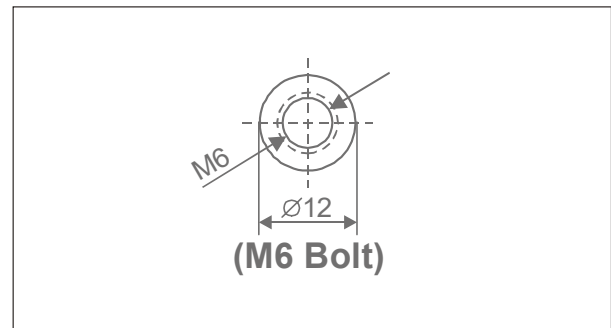
#### Characteristics

Capacity 25°C(77°F)	20 hour rate (2.00 A)	40.0AH
	10 hour rate (3.70 A)	37.0AH
	5 hour rate (6.80A)	34.0AH
	1 hour rate (22.0A)	22.0AH
	1.5 hour discharge to 10.5V	16.0 A
Internal Resistance	Full charged Battery at 25°C(77°F)	8 mΩ
Capacity affected by Temperature (20 hour rate)	40°C(104°F)	102%
	25°C(77°F)	100%
	0°C(32°F)	85%
	-15°C(5°F)	71%
Self-Discharge at 25°C(77°F)	Capacity after 1 month storage	92%
	Capacity after 3 month storage	90%
	Capacity after 6 month storage	80%
Terminal		F8 (M6 Bolt)
Charge (constant Voltage)	Cycle	Maximum Charging Current 12.0 A Voltage 13.80-14.40V
	Float	Voltage 13.50-13.80V

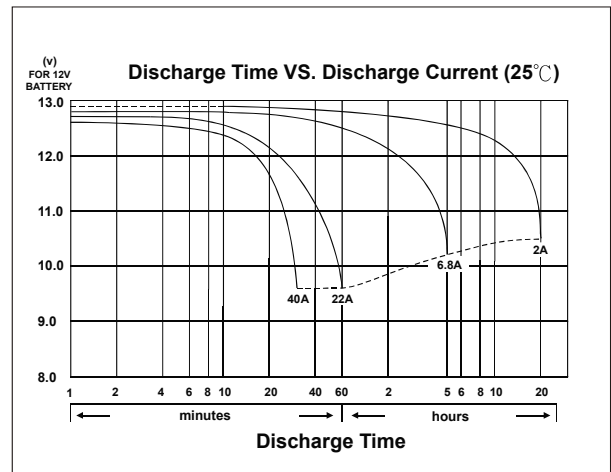
#### Outer Dimensions (mm)



#### Terminal Type (mm)



#### Discharge Curves 25°C (77°F)



#### Constant Current (Amp) and Constant Power (Watt) Discharge Table at 25°C (77°F)

Time		5 Min	10 Min	15 Min	30 Min	1hr	2Hr	3Hr	4Hr	5Hr	10Hr	20Hr
9.60V	A	160	94.9	73.3	40.6	23.4	13.4	9.78	7.72	6.94	4	2.11
	W	1818	1170	864	459	273.6	161.4	118.2	91.2	81.6	46.38	25.68
10.20V	A	151	89.5	70	38	22.7	13	9.4	7.58	6.8	3.87	2.04
	W	1728	1110	822	438.6	267	157.2	114.6	89.4	81.6	44.4	24
10.50V	A	141	84.1	66	36.8	22.4	12.7	9.25	7.41	6.67	3.8	2
	W	1614	1038	774	413.4	262.2	154.2	112.8	87.6	79.8	43.2	23.1
10.80V	A	126	75.1	59.8	33.4	22	12.3	9.04	7.17	6.52	3.65	1.92
	W	1440	924	702	374.4	255.6	151.2	109.8	86.4	78.6	42.06	22.08
11.10V	A	104	61.6	50.9	29.6	21.3	11.8	8.71	6.9	6.28	3.5	1.84
	W	1206	768	597	318.6	247.2	145.8	106.2	84	76.8	40.74	20.88