

Sealed Gel Rechargeable Battery Product Specification

SLAUMXNPG100-12 (12V100AH)



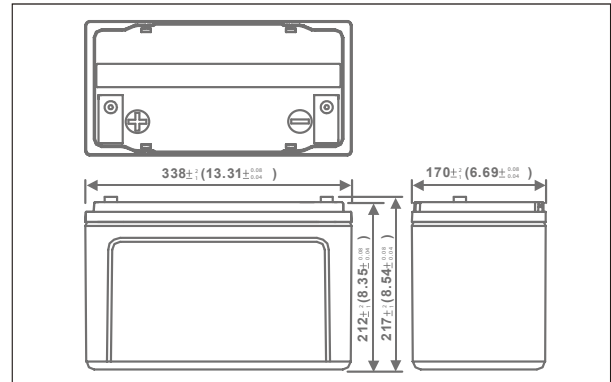
Specifications

Nominal Voltage		12 V
Rated capacity (20 hour rate)		100Ah
Dimensions	Total Height	217mm (8.54 inches)
	Height	212mm (8.35 inches)
	Length	338 mm (13.3 inches)
	Width	170mm (6.69 inches)
Weight Approx		34.0 Kg (74.8 lbs)

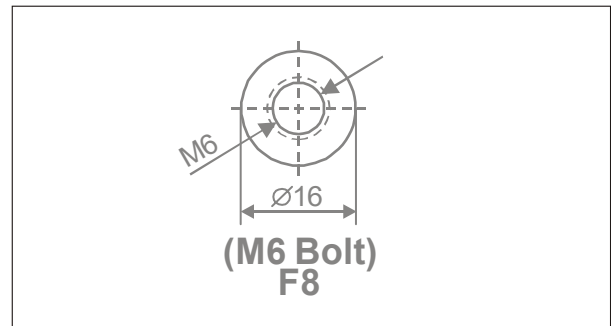
Characteristics

Capacity 25°C(77°F)	20 hour rate(5.00A)	100 AH
	10 hour rate(9.60A)	96 AH
	5 hour rate(17.0A)	85 AH
	1 hour rate(55.0A)	53.3 AH
	1.5 hour discharge to 10.5V	40.0 A
Internal Resistance	Full charged Battery at 25°C(77°F)	3 mΩ
Capacity affected by Temperature (20 hour rate)	40°C(104°F)	102%
	25°C(77°F)	100%
	0°C(32°F)	85%
	-15°C(5°F)	71%
Self-Discharge at 20°C(68°F)	Capacity after 1 month storage	98%
	Capacity after 3 month storage	94%
	Capacity after 6 month storage	85%
Terminal	F8 (M6 Bolt)	
Charge (constant Voltage)	Cycle	Maximum Charging Current 30.0 A Voltage 13.80-14.40V
	Float	Voltage 13.50-13.80V

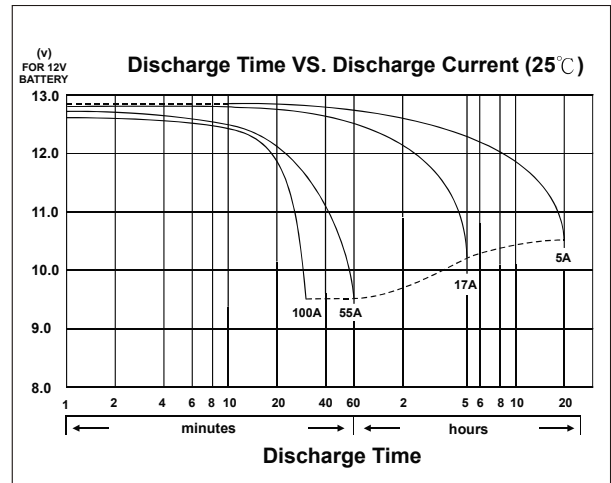
Outer dimensions (mm)



Terminal Type (mm)



Discharge Curves 25 °C(77 °F)



Constant Current(Amp) and Constant Power(Watt) Discharge Table at 25 °C(77 °F)

Time		5 Min	10 Min	15 Min	30 Min	1hr	2Hr	3Hr	4Hr	5Hr	10Hr	20Hr
9.60V	A	344	230	176	105	60.9	34.8	26.3	20.3	17.7	10.7	5.44
	W	3792	2556	1968	1098	726	412.2	317.4	245.4	213.6	131.4	66.6
10.20V	A	309	202	158	100	56.9	32.1	24.6	19.2	17	10.3	5.26
	W	3438	2310	1794	1014	702	391.8	300.6	231.6	205.2	125.4	64.8
10.50V	A	281	186	146	95.2	53.1	29.2	23.2	18.3	16.5	10.1	5.15
	W	3246	2178	1698	972	690	383.4	298.8	220.2	199.8	120.6	63.6
10.80V	A	247	167	129	88.7	47.8	26.2	21.5	17.1	15.7	9.88	4.99
	W	3048	2034	1596	918	672	369	286.2	209.4	192	115.8	62.4
11.10V	A	188	141	104	78.1	40.2	22.4	19.3	15.4	14.5	9.6	4.83
	W	2760	1860	1464	864	648	351.6	272.4	197.4	183.6	109.2	60