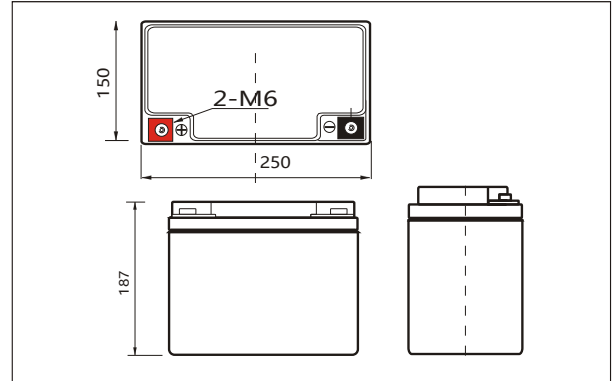


Lithium Iron Phosphate (LiFePO4) Battery Specification

SLAUMXLI60-12(12.8V60AH)



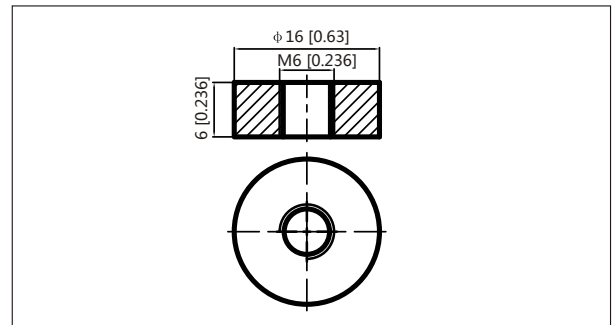
Outer dimensions (mm)



Specifications

| | | |
|-------------------------------|--------------|--------|
| Nominal Voltage | | 12.8V |
| Rated capacity (20 hour rate) | | 60Ah |
| Dimensions | Total Height | 187 mm |
| | Height | 187 mm |
| | Length | 250 mm |
| | Width | 150 mm |
| Weight Approx | | 7.5 Kg |
| Terminal | | M6 |

Terminal Type (mm)



Characteristics

| | | |
|-----------------------------|-------------------------------|------------------------|
| Capacity Retention | >80% at 28 days | |
| Cycle Life | >80% at 2000 Cycles | |
| 1.5 hour discharge to 10.5V | 3.00 A | |
| Internal Resistance | <50 mΩ | |
| Charge Characteristics | Charge Voltage | 14.6±0.1V |
| | Charger Current | <50A |
| Discharge Characteristics | Max Continuous Current | 60A |
| | Min Discharge Cut-off Voltage | 10V |
| Temperature | Charge Temperature | 0°C-45°C(32°F-113°F) |
| | Discharge Temperature | -20°C-60°C(-4°F-140°F) |
| | Storage Temperature | 0°C-40°C(32°F-104°F) |

Discharge Curves 25°C(77 °F)

