

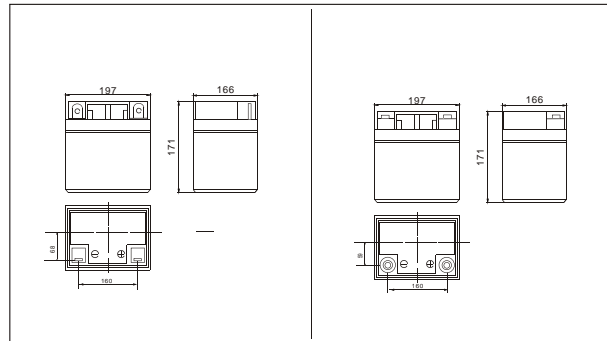
ULTRA MAX®

Sealed Lead Acid Rechargeable Battery Product Specification

SLAUMXNP44-12 (12V44AH)



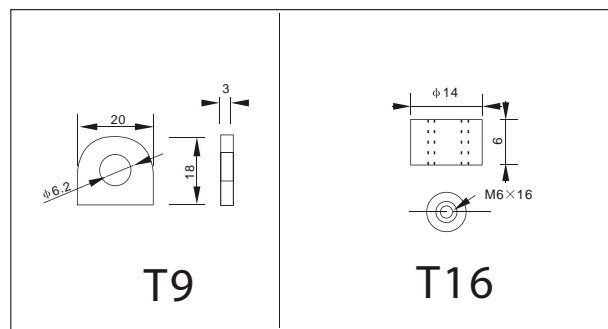
● Outer dimensions (mm)



● Specifications

Nominal Voltage		12V
Rated capacity (10 hour rate)		44 Ah
Dimensions	Total Height	171 mm (6.73 inches)
	Height	171 mm (6.73 inches)
	Length	196 mm (7.70 inches)
	Width	166mm (6.54 inches)
Weight Approx		13.5 Kg (29.83 lbs)

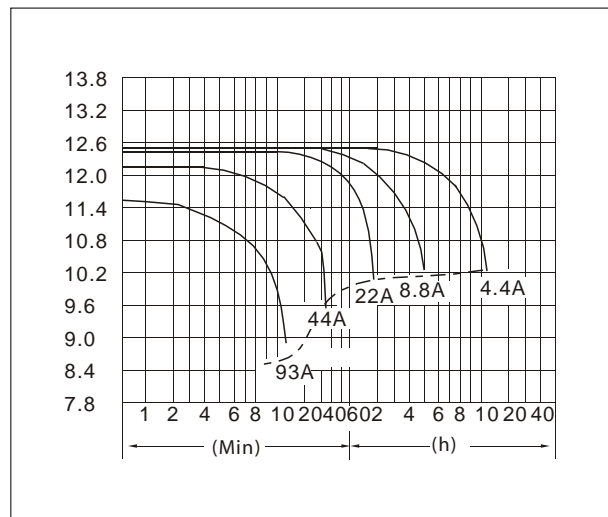
● Terminal Type (mm)



● Characteristics

Capacity 25°C(77°F)	10 hour rate(4.4 A)	44.0 AH
	5 hour rate(7.0 A)	35.0 AH
	1 hour rate(26.4 A)	26.4 AH
Internal Resistance	Full charged Battery at 25°C(77°F)	Approx 7.8 mΩ
Capacity affected by Temperature (10hour rate)	40°C(104°F)	102%
	25°C(77°F)	100%
	0°C(32°F)	85%
	-15°C(5°F)	65%
Self-Discharge at 25°C(77°F)	Capacity after 3 month storage	91%
	Capacity after 6 month storage	82%
	Capacity after 12 month storage	64%
Terminal		T16 T9
Charge (constant Voltage)	Cycle	Initial Charging Current less than 17.6 A Voltage 14.10-14.40V
	Float	Voltage 13.50-13.80V

● Discharge Curves 25 °C(77°F)



Constant Current (Amp) and Constant Power (Watt) Discharge Table at 25°C(77°F)													
Time		5min	10min	15min	30min	1h	2h	3h	4h	5h	8h	10h	20h
960V	A	141	93	75	50	26	15	11.3	8.8	7.3	5.1	4.6	2.5
	W	1454	992	802	539	285	169	125.9	99.0	82.5	59.0	53.4	29.0
1020V	A	136	84	70	48	25	15	11.0	8.6	7.1	5.0	4.5	2.4
	W	1458	935	789	538	281	169	127.4	99.8	83.1	58.7	53.2	28.4
1050V	A	132	75	62	45	24	14	10.7	8.4	7.0	5.0	4.4	2.4
	W	1442	852	703	516	278	166	125.1	98.8	82.5	58.5	52.6	28.6
1080V	A	127	71	57	41	23	14	10.5	8.3	6.9	4.8	4.4	2.4
	W	1428	814	660	479	270	164	123.5	98.2	81.1	57.4	52.3	28.3
11.10V	A	123	66	53	37	22	14	10.1	8.1	6.7	4.7	4.2	2.2
	W	1395	766	616	432	264	161	120.2	96.4	79.8	56.4	50.5	27.2