

ULTRA MAX®

Lithium Iron Phosphate (LiFePO4) Battery Specification

SLAUMXLI9-12(12.8V9AH)



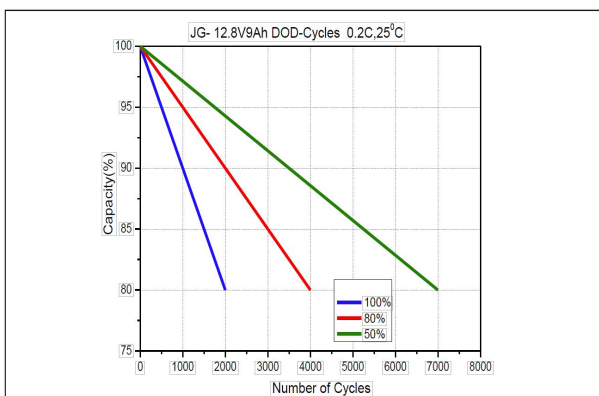
Specifications

Nominal Voltage	12.8V	
Rated capacity (20 hour rate)	9Ah	
Dimensions	Total Height	100 mm(3.94inches)
	Height	94 mm (3.70inches)
	Length	151 mm (5.95inches)
	Width	65 mm (2.56inches)
Weight Approx	1.10 Kg (2.65 lbs)	
Terminal	T1	

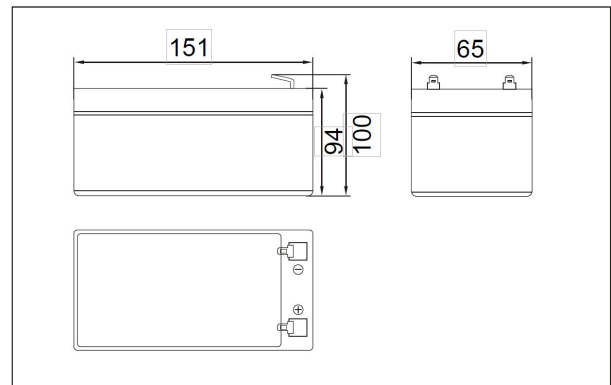
Characteristics

Capacity Retention	>80% at 28 days	
Cycle Life	>80% at 1500 Cycles	
1.5 hour discharge to 10.5V	2.80 A	
Internal Resistance	<60 mΩ	
Charge Characteristics	Charge Voltage	14.6±0.2V
	Charger Current	<9A
Discharge Characteristics	Continuous Current	9A
	Maximum Pulse Current	15A(<3s)
	Discharge Cut-off Voltage	10V
Temperature	Charge Temperature	0°C-45°C(32°F-113°F)
	Discharge Temperature	-20°C-60°C(-4°F-140°F)
	Storage Temperature	0°C-40°C(32°F-104°F)

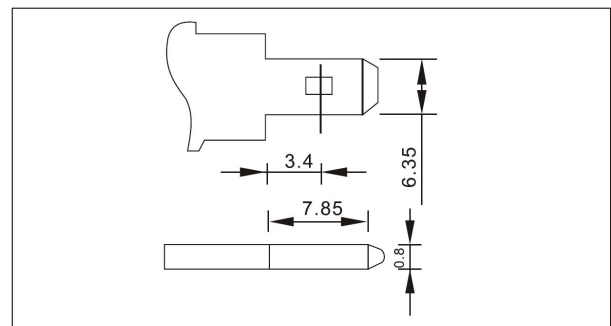
Cycle Life Characteristics



Outer dimensions (mm)



Terminal Type (mm)



Discharge Curves 25°C(77 °F)

