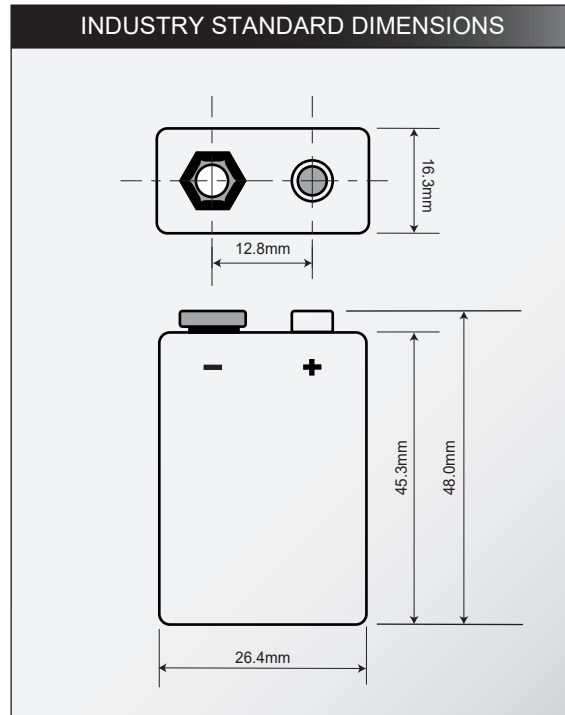
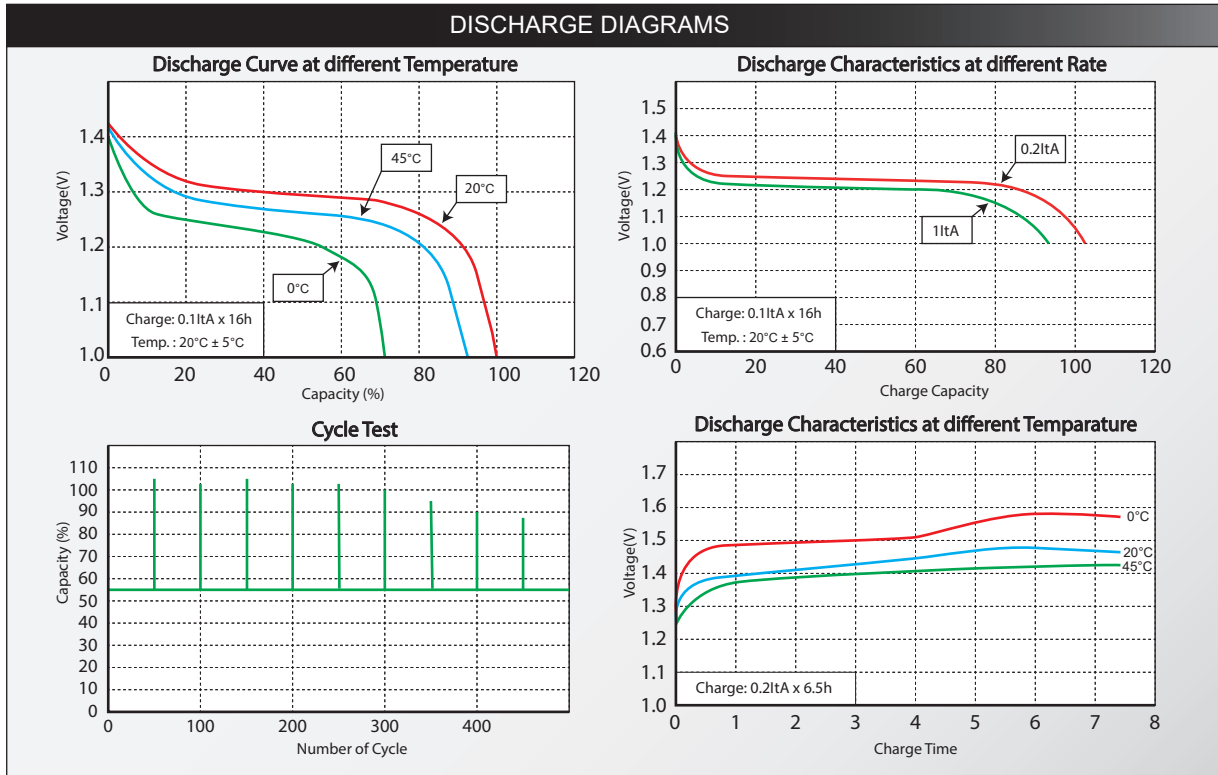


## ULTRA MAX RECHARGABLE STANDARD (RECR22) 9V



SPECIFICATION	
DESIGNATION	RECR22/9V
NOMINAL VOLTAGE	9.0V
TYPICAL CAPACITY	180mAh
TYPICAL WEIGHT	50g
TYPICAL VOLUME	17.3cm <sup>3</sup>
TERMINALS	Miniature Snap
CHEMICAL SYSTEM	Nickel-Metal Hydride
STORAGE TEMPERATURE RANGE	-20~30°C
OPERATING TEMPERATURE RANGE	20°C~45°C



### Important Notice

Delivered capacity is dependent on the applied load, operating temperature and cut-off voltage. Please refer to the charts and discharge data shown.

This specification contains typical information specific to products manufactured at the time of publication. The data is subject to change and should be used for reference only. Contact UltraMax for the latest information.