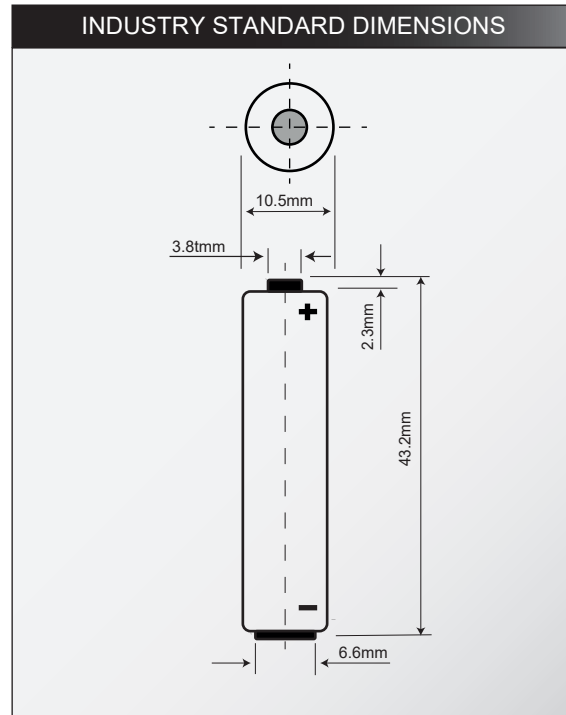
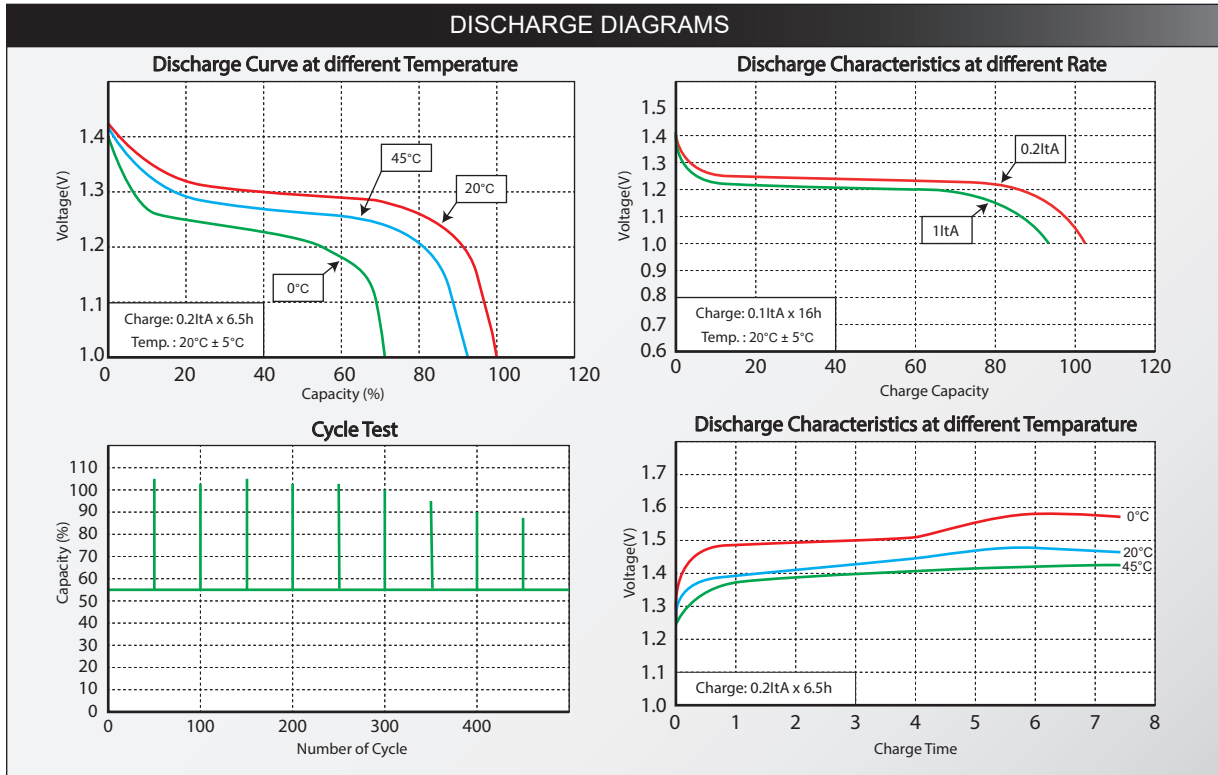


ULTRA MAX RECHARGABLE STANDARD (RECR03) AAA



SPECIFICATION	
DESIGNATION	RECR03/AAA
NOMINAL VOLTAGE	1.2V
TYPICAL CAPACITY	600mAh
TYPICAL WEIGHT	12g
TYPICAL VOLUME	3.7cm ³
TERMINALS	Flat Contact
CHEMICAL SYSTEM	Nickel-Metal Hydride
STORAGE TEMPERATURE RANGE	-20~35°C
OPERATING TEMPERATURE RANGE	0~45°C



Important Notice

Delivered capacity is dependent on the applied load, operating temperature and cut-off voltage. Please refer to the charts and discharge data shown.

This specification contains typical information specific to products manufactured at the time of publication. The data is subject to change and should be used for reference only. Contact UltraMax for the latest information.